



# COMBiLiFT

Customised Handling Solutions

## C3500-C4500



Inside of Cabin



Optional LP Gas Bottle



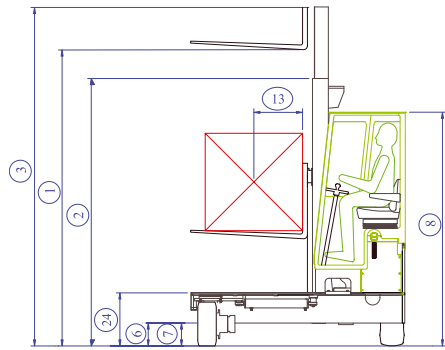
**three machines in one**

> counterbalance forklift > sideloader > aisle truck

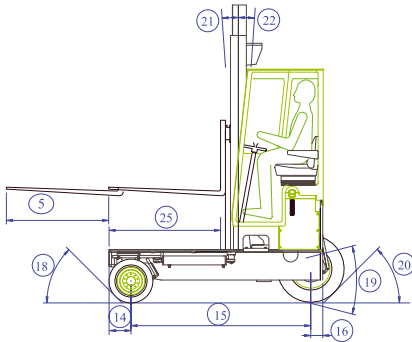
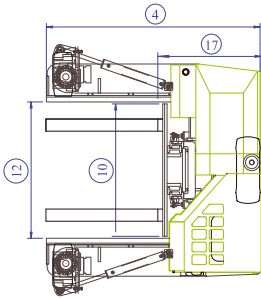


# SPECIFICATIONS

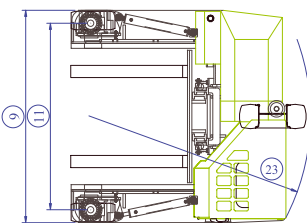
# Model C3500-C4500



SIDEWARD MODE



FRONTAL MODE



| REF | DESCRIPTION                           | C3500        | C4000                | C4500         |
|-----|---------------------------------------|--------------|----------------------|---------------|
| 1a  | Max. Lift Height                      |              | 4040mm               |               |
| 1b  | Free Lift Height                      |              | 0mm                  |               |
| 2   | Height Mast Closed                    |              | 2855mm               |               |
| 3   | Max. (Mast raised)                    |              | 4870mm               |               |
| 4   | Overall Length                        | 1950mm       | 2300mm               | 2500mm        |
| 5   | Mast Travel                           | 900mm        | 1250mm               | 1400mm        |
| 6   | Ground Clearance Under Mast           |              | 150mm                |               |
| 7   | Ground Clearance to Wheelbase Centre  |              | 200mm                |               |
| 8   | Height Over Cab or of Overhead Guard  |              | 2435mm               |               |
| 9   | Width                                 |              | 2190mm               |               |
| 10  | Outside Spread of Fork Arms           |              | 1350mm               |               |
| 11  | Track Front                           |              | 1980mm               |               |
| 12  | Frame Opening                         |              | 1400mm               |               |
| 13  | Load Centre Distance                  | 450mm        | 600mm                | 600mm         |
| 14  | Overhang Front                        |              | 245mm                |               |
| 15  | Wheel Base                            | 1565mm       | 1915mm               | 2115mm        |
| 16  | Overhang Back                         |              | 140mm                |               |
| 17  | Length From Face of Fork              | 1100mm       | 1100mm               | 1150mm        |
| 18  | Approach Angle                        |              | 45°                  |               |
| 19  | Ramp Angle                            |              | 29°                  |               |
| 20  | Departure Angle                       |              | 45°                  |               |
| 21  | Forward Tilt                          |              | 3°                   |               |
| 22  | Backward Tilt                         |              | 5°                   |               |
| 23  | Minimum Outside Radius                | 1950mm       | 2260mm               | 2490mm        |
| 24  | Platform Height                       |              | 545mm                |               |
| 25  | Platform Length                       | 850mm        | 1200mm               | 1350mm        |
| A   | Capacity                              | 3500Kg       | 4000Kg               | 4500Kg        |
| B   | Unladen Weight                        | 5400Kg       | 6300Kg               | 6800Kg        |
| C   | Maximum Ground Speed                  |              | 15 km/h              |               |
| D   | Gradability                           |              | 15%                  |               |
| E   | V2003 T Kubota Diesel / 3 ltr. GM LPG |              | 44KW / 48KW          |               |
| F   | Electric's                            |              | 12 Volt              |               |
| G   | Fork Section                          | 50x150x850mm | 50x150x1200mm        | 50x150x1350mm |
| H   | 200/50 x 10 Front Tyre                |              | OD 450mm/Width 200mm |               |
| I   | 27 x 10-12 Rear Tyre                  |              | OD 680mm/Width 255mm |               |
| J   | Standard Colour                       |              | Green and Grey       |               |
| K   | Suspension Seat                       |              | KAB Model 116        |               |

**Distributed by**

**South Wales Industrial Equipment Ltd**  
**Unit 23, Mardon Estate, Baglan Energy Park**  
**Port Talbot**  
**SA12 7AX**

**FEATURES INCLUDE:**

- Rubber Mounted Half Open Cabin
- Multi-Direction Operation
- Load Sensing Steering
- 3 Wheel Hydrostatic Drive
- 4-Way Lever Positioning of Wheels
- Hydraulic Oil Cooler

[www.swie.co.uk](http://www.swie.co.uk)

[enquiries@swie.co.uk](mailto:enquiries@swie.co.uk)

Return to Website