



COMBiLiFT

C6000-C8000

Customised Handling Solution



three machines in one

Counterbalance Forklift > Aisle Truck > Side Loader

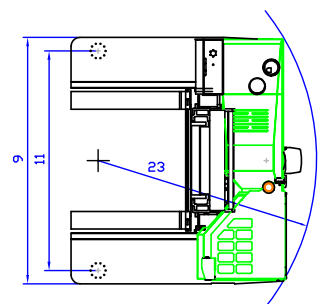
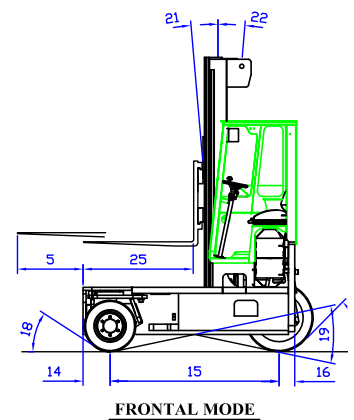
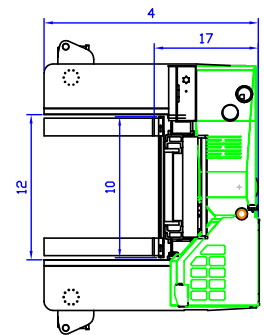
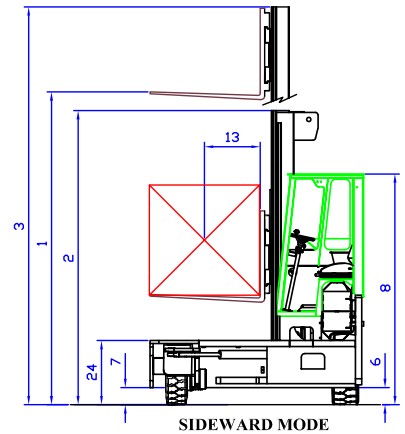
www.COMBiLiFT.com



SPECIFICATIONS

MODEL C6000-C8000

REF	DESCRIPTION	C6000	C8000
1a	Standard Lift Height	4536 mm	
1b	Free Lift Height	0mm	
2	Height Mast Closed	3430mm	
3	Max. (Mast Raised)	5931mm	
4	Overall Length	2430mm	2670mm
5	Mast Travel	1290mm	1530mm
6	Ground Clearance Under Mast	290mm	
7	Ground Clearance to Wheelbase Centre	165mm	
8	Height Over Cab or of Overhead Guard	2590mm	
9	Width	2800mm	
10	Outside Spread of Fork Arms	1600mm	
11	Track Front	2500mm	
12	Frame Opening	1650mm	
13	Load Centre Distance	600mm	
14	Overhang Front	307mm	
15	Wheel Base	1915mm	2155mm
16	Overhang Back	208 mm	
17	Length from Face of Fork	1180mm	
18	Approach Angle	45 °	
19	Ramp Angle	29 °	
20	Departure Angle	45 °	
21	Forward Tilt	3 °	
22	Backward Tilt	5 °	
23	Minimum Outside Radius	2540 mm	2765 mm
24	Platform Height	750mm	
25	Platform Length	1250mm	1490mm
A	Capacity	6000kg	8000kg
B	Unladen Weight	10430kg	10950kg
C	Maximum Ground Speed	15km/h	
D	Gradeability	15%	
E	Diesel / LPG Water Cooled Engine	72kW/ 72kW	
F	Electric's	12 Volt	
G	Fork Sections 50mm x 200mm x	1250mm	1490mm
H	23 x 10 - 12 Front Tyre	OD580mm / Width 240mm	
I	400 / 60 - 15 Rear Tyre	OD 825mm/ Width 326mm	
J	Standard Colour	Green and Grey	
K	Suspension Seat	KAB Model 211	



FEATURES INCLUDE:

- Rubber Mounted Half Open Cabin
- Multi-Direction Operation
- 3 Wheel Hydrostatic Drive
- Load Sensing Steering
- 4 Way Lever Positioning of Wheels
- Hydraulic Oil Cooler

Distributed by:
 South Wales Industrial Equipment Ltd
 Unit 23 Mardon Estate
 Baglan Energy Park
 Port Talbot
 SA12 7AX
 T: 01639 823000
 E: enquiries@swie.co.uk

www.swie.co.uk